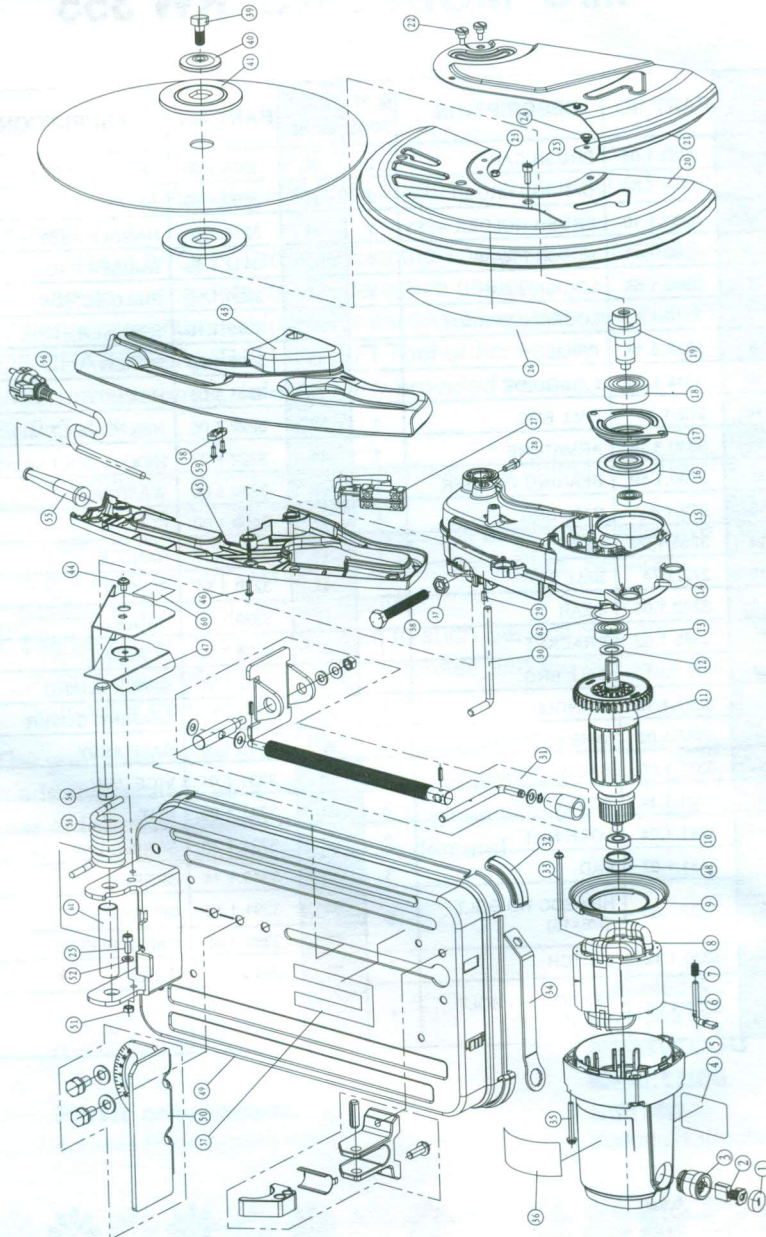


8

# Product decomposition diagram



## PARTS LIST FOR CUT-OFF M/C MODEL NO. RW 355

DRG. SR.NO.	PART NO.	DESCRIPTION	QTY/ TOOL	DRG. SR.NO.	PART NO.	DESCRIPTION	QTY/ TOOL
1	3253.1.08	BRUSH CAP	2	29	3500.1.59	BEARING LOCK	1
2	3251.1.09	CARBON BRUSH	2	30	3500.1.60	STOPPER	1
3	3252.1.10	BRUSH HOLDER ASSY	2	31	3278.1.05	HANDLE ASSY	1
5	3260.1.11	MOTOR FRAME	1	32	3432.1.03	RUBBER PAD	4
6	3500.1.58	LOCKING BAR	1	33	3220.1.59	FIELD SCREW	2
7	3310.1.13	LOCKING SPRING	1	34	3399.1.10	SPANNER	1
8	3820.3.14	FIELD	1	35	3220.1.60	SCREW	4
9	3344.1.06	FAN GUIDE	1	37	3241.1.05	HEX NUT	1
10	272.1.74	BALL BRG	1	38	3222.1.06	HEX HD BOLT M10×80	1
11	3830.3.14	ARMATURE	1	39	3222.1.07	HEX HD BOLT M10×25	1
12	3230.1.59	BEARING WASHER	1	40	3230.1.60	WASHER	1
13	272.1.43	BALL BRG	1	41	3409.1.08	FLANGE	2
14	3265.1.09	GEAR BOX	1	43	3329.1.12	HANDLE	1
15	272.1.74	BALL BRG	1	44	3220.1.61	SCREW	1
16	3302.1.05	GEAR	1	45	3329.1.13	HANDLE	1
17	3365.1.02	BRACKET	1	46	3324.1.15	SCREW	6
18	272.1.87	BALL BRG	1	47	3332.1.10	SPARK GUARD	1
19	3291.1.13	SPINDLE	1	48	3312.1.01	BEARING COVER	1
20	3332.1.08	WHEEL GUARD	1	49	3313.1.02	BASE ASSY	1
21	3332.1.09	SAFTY COVER	1	50	3331.1.01	VICE JAW	1
22	3224.1.14	SCREW	2	51	3241.1.06	NUT	1
23	3241.1.04	LOCK NUT	2	52	3231.1.30	SPRING WASHER	1
24	3431.1.07	PAD	3	53	3310.1.14	SPRING	1
25	3222.1.04	HEX SOC HD BOLT (M6×15)	5	54	3291.1.14	SPINDLE	1
				55	3360.1.05	CABLE SLEEVE	1
27	3330.1.12	SWITCH	1	56	290.24	CABLE	1
28	3222.1.05	HEX SOC HD BOLT (M6×15 COAT)	1				